

For those with a taste for adventure.  
And their own home-brewed coffee.



2007  
**SOUTHWIND**  
CLASS A GAS



Contemporary Styling | Full-Body Paint | Entertainment Center | Comfort and Convenience | Power Platform Construction





Southwind 32VS (shown above with optional Ultraleather™ sofa and recliner) shown in Satin Steel décor with Plantation Cherry wood finish.



**The Systems Monitor Panel** displays the levels of your batteries, fresh water tank and holding tanks. And all this information is gathered in one convenient place. Time to empty your tanks? The accurate sensors on the holding tanks will let you know.



**The Functional Dash Area** holds those crucial things you need on the road. You'll find cup holders, a snack tray, and storage space for office supplies, maps, and maybe a romance novel for the co-pilot.



# Roam Sweet Roam.

The Southwind gives you the freedom to explore without ever leaving the comforts of home. Sink into the cozy Flexsteel® couch, fresh coffee brewing nearby, and you'll feel right at home anywhere. And with Southwind's uniquely beautiful, contemporary styling, you may enjoy the scenery inside just as much as outside. Make your adventure as long as you like – with the extensive storage space in our new Power Platform Plus (select models), you can take everything you need for an extended trip.



**The Contemporary Interior** of Southwind is attractive and relaxing, with 7-foot-tall ceilings for that wide-open feeling.

**The Driver's Area** puts everything within reach. The wheel tilts to your liking, the gauges are easy to read, and the stereo/CD player is ready to hook up to your MP3 player or satellite radio.



**Dash Integrated Computer Workstation** has a slide-out desktop and power outlets for your laptop. A telephone outlet lets you connect for e-mail, web surfing and your favorite RV message boards.



**The Entertainment Center** features a giant 27" flat screen TV (optional 26" LCD TV shown) with an optional DVD home theater sound system. Just think of the possibilities – you could watch "Gunfight at the O.K. Corral" in Tombstone, Arizona. Or "Oklahoma!" in Oklahoma!





## Whet your appetite for travel.

Variety is the spice of life – especially when it's the ever-changing scenery outside your dinette window. Yet your fully equipped galley remains a step away. Imagine the convenience of having brand name appliances always available, and elegant wood cabinetry stocked with your favorite foods. It's like having your cake and eating it, too.



**Under-Dinette Storage** is spacious enough for bulky board games, your scrapbooking supplies and Sparky's pet food.





**The Convection Microwave** (optional) cooks fast like a standard microwave, but also bakes and broils quickly like an oven.



**The Elegant Sink** is extra-deep, with a lovely Moen® faucet. If you must do dishes, you might as well do them in style!



**The Norcold® Refrigerator** (optional) keeps your lettuce crisp and your wine chilled behind handsome wood panel double doors.

**The Galley** sparkles with solid surface countertops, brushed nickel cabinet hardware and wood-look laminate flooring.



**The Dinette** provides a front-row table to the country's most beautiful scenery, right outside the picture window. Imagine enjoying a hot cup o' joe with the rising sun. With spacious seating for four, your family can join you for breakfast.



SOUTHWIND



# It's good to be home. Wherever you are.

Sightseeing is fun, but there's nothing like coming home to your own relaxing bedroom and private bath at the end of the day.



**The Vanity** (select models) is her special place to get ready for a big night on the town. Or you can use it as a traveling office - just plug in your laptop and get down to business.



**The Bathroom** feels just like yours at home, with a large sink graced by an upscale Moen® faucet. The shower has a low step threshold for easy entering, and a skylight above. A large 10-gallon water heater ensures a hot shower.



**The Optional LCD TV** dazzles with its vibrant color and crystal-clear picture, fitting neatly into the cabinetry overhead.



**The 20" Flat Screen TV** comes standard so you can lounge in bed and chuckle at your favorite late night talk show host.





**The Bedroom** is your private getaway, with a luxurious Restonic® queen-sized mattress with pillow top and inner springs. A ton of storage is hidden away underneath. An optional Sleep Number® mattress is also available that allows you to customize the firmness on each side of the mattress independently.



**The Bedroom Wardrobe** holds shoes on bottom, lots of hangers in the middle, and folded clothing on the shelves. A cedar panel keeps the moths away, and the mirror on the front gives you a head-to-toe view. (Most models contain shelves.)



**Full Extension Drawer Guides**, used throughout the coach, let you store and access items at the very back of the drawers. Roller-bearing mechanisms glide the drawers open and closed with ease.



# ONE MOTOR HOME. THREE DIFFERENT LOOKS.

No matter which exterior you choose, the end result is the same. You can practically hear other drivers on the road say, "That's a really nice RV."



**Satin Steel**

---

---



**Cafe Milan**

---

---



**Blue Topaz**

---

---



# COOL AND CONTEMPORARY.

With contemporary colors and designs, Southwind's interior has been created for more youthful owners – or anyone who's young at heart.

Living/Dining Room



Dinette Cushions



Sofa, Throw Pillows & Recliner



Driver/Front Passenger Seats, Sofa (Optional) & Recliner (Optional)

Bedroom



Bedsread, Headboard & Pillow Shams



Pillow Shams & Throw Pillows

Living/Dining Room



Sofa



Dinette Cushions, Throw Pillows & Recliner



Driver/Front Passenger Seats, Sofa (Optional) & Recliner (Optional)

Bedroom



Pillow Shams, Throw Pillows & Headboard



Bedsread, Pillow Shams & Headboard



Bedsread & Pillow Shams

Living/Dining Room



Sofa & Dinette Cushions



Throw Pillows & Recliner



Driver/Front Passenger Seats, Sofa (Optional) & Recliner (Optional)

Bedroom



Bedsread & Throw Pillows



Pillow Shams, Headboard & Bedsread



Bedsread, Pillow Shams & Headboard

Interior Wood Finish Choices



Summit Ash



Plantation Cherry



SOUTHWIND



# EXTERIOR FEATURES YOU'LL APPRECIATE.

## Southwind shown in Satin Steel

**A 2-STAGE DUPONT® PAINT PROCESS** is carefully applied for maximum durability and a sleek exterior look. This process helps to ensure only the best in quality and appearance.

**TUFF-PLY ROOF** is UV resistant, durable, easy to clean, and the perfect weather seal against leaks. And it doesn't scratch like competitors' fiberglass.

**PATIO AWNING** provides an instant front porch. The drip molding directs water to the front and back of the coach, preventing streaks of dirt on the sides.

**22.5" WHEELS** provide a smooth ride.

**LIGHTED STORAGE COMPARTMENTS** use single paddle latches so you can open them with one hand, with gas-lift strut supports to keep them open.



## Why Fleetwood?



### Passion

We're truly passionate about the RV lifestyle. Fleetwood was founded by RV enthusiasts, and that tradition continues today.



### Quality

There's no cutting corners. Skilled craftsmen build every Fleetwood RV for maximum durability and longevity.



### Service

Help is nearby. When you need an upgrade or repair, you'll find facilities all across North America and more than 1,100 dealers ready to assist you.



### Warranty

Breathe easier with RV Ownercare, one of the best warranties in the industry. See your Fleetwood dealer for details.



### Trust

More people trust Fleetwood. After all, we've spent over 50 years perfecting RVs, earning the loyalty of generations of RVers.

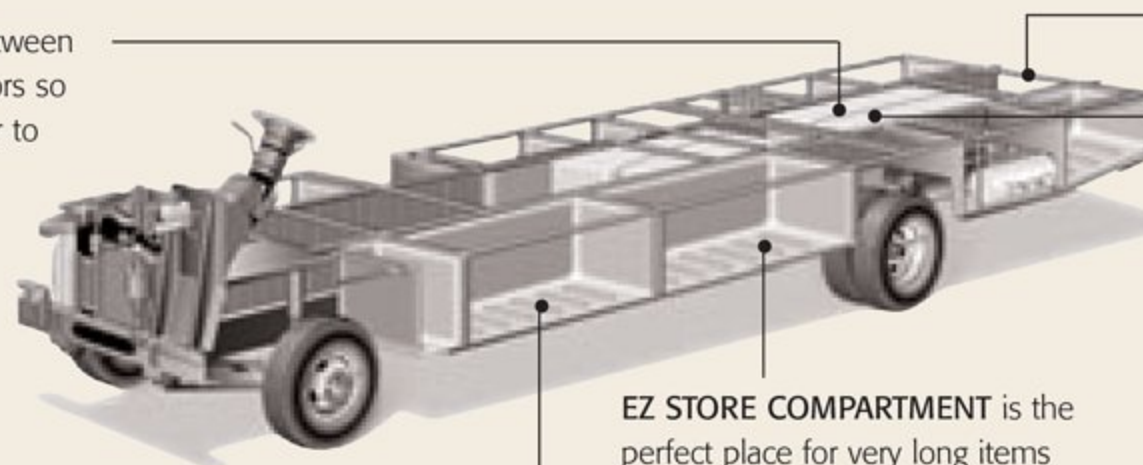


# The Power Platform. Because you have a lot riding on this.

Fleetwood's patented Power Platform begins with two 10-inch steel I-beams welded to the chassis, with steel outriggers. Together, they create a basement for the fluid tanks and storage, while supporting the floor, walls and roof with a rigid metal frame. This complements the chassis to make it even stronger.

**HOLDING TANKS** are enclosed between the upper and lower basement floors so they can be heated in cold weather to help prevent freezing.

**BASEMENT STORAGE** features aluminum doors, lined with molded plastic so you can hose the compartments out. They are also individually lit for after sunset.



**LARGE TOWING CAPACITY** † lets you tow most vehicles with ease.

**VEHICLE STABILITY** is enhanced because the holding tanks are positioned in the bottom center of the platform.

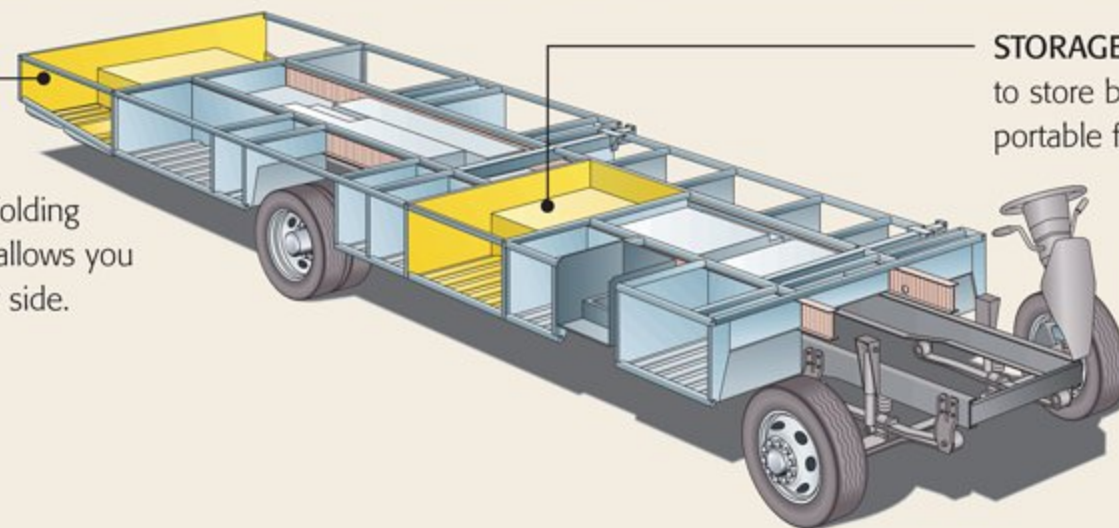
**EZ STORE COMPARTMENT** is the perfect place for very long items such as fishing poles or ladders. It moves with the slide-out so you don't have to crawl underneath.

† The chassis manufacturer recommends the installation of a supplemental brake control system to activate the brakes on the vehicle or trailer you are towing. Hitch receiver ratings expressed are maximum for the hitch receiver installed and may require the purchase of additional equipment that is dependent on the weight of the towed load. Consult with hitch receiver manufacturer for further information.

## Strength and Even More Storage. That's our Power Platform Plus.

Our Power Platform Plus construction delivers the best of both worlds – an ultra-strong chassis along with a ton of storage space. We carved out every available space for extra storage, and reinforced the framing around the storage areas. Each storage area is lined with molded plastic so it can be hosed out easily, and individually lit so you can retrieve your gear after dark. The Power Platform Plus (available on select models) delivers all the benefits of the Power Platform, plus:

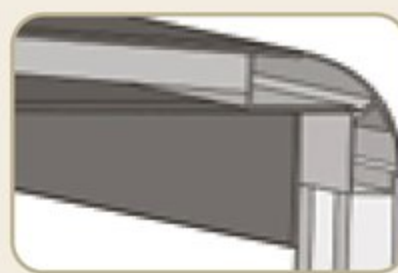
**PASS-THROUGH STORAGE COMPARTMENT** maximizes every inch of space so you can store large bulky items, such as folding tables. The pass-through design allows you to take your gear out from either side.



**STORAGE MAXIMIZER** is another great place to store bulky items such as folding chairs or portable fire pits.



**INTERLOCKING FLOOR-TO-SIDEWALL CONNECTION** locks tightly to keep out water, dust and noise, and helps eliminate squeaks and rattling.



**INTERLOCKING CEILING-TO-SIDEWALL CONNECTION** helps keep the box square. This ensures a proper cabinet fit.



**VACU-BOND® SIDEWALL CONSTRUCTION** creates a strong weather-resistant structure. All sidewalls, floors and ceilings are vacu-bonded to a durable steel or aluminum frame.

Drawings are for illustrative purposes only to highlight aspects of motor home construction. Actual motor home design depends on model and is subject to change.



SOUTHWIND





**The Front Cap** makes an instant first impression of sophistication, with its sleek design and rectangular headlights.



**Driver's Door** (optional) lets you in and out of your Southwind when you don't want to use the main entry door.

## Beautiful inside and out.

While Southwind is stunning inside, there's even more to see on the exterior. For example, Southwind is completely covered with full-body paint from DuPont<sup>®</sup>, except for the roof. The result is not only more handsome, it's better protected. Full-body paint is something you won't find on many competitors.



**Rear Vision Camera** lets you see behind the coach when you're backing up, and hear directions from your assistant before you back into a tree stump.



**Functional EZ Store Compartment** provides a super-long storage space for fishing poles, shovels, what-have-you. And it moves with the slide-out, so you don't have to stoop underneath to get your gear.



**The Utility Compartment** lets you empty the holding tanks from one place. The handy water sprayer is great for hosing off sandy feet (yours and your dog's).



# Standard Features & Options

2007 Southwind

## INTERIOR

- 10-Gallon Quick-Recovery Water Heater w/Direct Spark Ignition (Gas/Electric) S
- 20,000/30,000 BTU Dual Furnaces (37C) S
- 3 Interior Décor's S
- 34,000 BTU Furnace (32VS, 34G, & 35A) S
- Beveled Mirrors S
- Cherry Wood Grain or Ash Wood Grain S
- Deluxe Roller Bearing, Full Extension Drawer Guides & Transit-Ship Locks S
- Demand Water Pump w/Filter S
- Dual 6V/Deep-Cycle House Batteries S
- **Dual Roof A/C High Efficiency w/Solar Panel and Chill Grills** S
- Telephone Jack in Dash S
- Vinyl Ceiling, Cushioned S
- Water Heater Bypass S
- **Whole Coach Water Filtration System** S
- **7' Interior Ceiling Height** S
- Fluorescent Ceiling Lights w/Dual Bulbs S

## DRIVER CONVENIENCE

- 3-Point Seat Belts w/ Auxiliary Jack at Driver & Front Passenger Seats S
- AM/FM Radio w/CD Player, Satellite Radio Ready w/Auxiliary Jack S
- Auto A/C Heater Combo S
- Auxiliary Start Circuit S
- Computer Workstation in Dash S
- Cruise Control S
- Dash Fans S
- Double Swivel Sun Visors w/Map Pockets S
- Engine Cover Convenience Tray S
- Intermittent Wiper Control S
- Radio Switch-Main/Auxiliary Power S
- Tilt Steering Wheel S
- Battery Disconnect System S
- **Driver/Front Passenger Ultraleather™ Captain's Chairs w/Power Driver Seat** S
- Auto Locating Satellite Dish O
- CB Radio Ready O
- **DSS Manual Lift Satellite Dish** O
- Sirius® Satellite Radio O
- Driver's Door w/Power Window Lift O

## LIVING ROOM

- **27" Flat Screen TV in Front Overhead** S
- Day/Night Pleated Shades S
- Free-Standing Lounge Recliner S
- Residential Seat Styling S
- DVD Home Theater Sound System O
- Ultraleather™ Furniture O
- 26" Samsung LCD TV O

## GALLEY

- **1.4 cu. ft. Microwave Oven** S
- 3-Burner, High-Output Range w/Oven S
- **8 cu. ft. Dometic® Double Door Refrigerator** S
- Brushed Nickel Finish Cabinet Hardware S
- **Double Bowl Stainless Steel Sink** S
- Fan-Tastic® Power Roof Vent S
- Radius Corner Cabinetry S
- Range Cover-Flush Mount S
- Single Lever Moen® Faucet w/Sprayer S
- Sink Covers/Cutting Boards S
- Skylight S

- Solid Surface Countertops S
- Waste Basket S
- Slide-Out Dinette Bins w/Latches S
- 12 cu. ft. Side-by-Side Dometic® Refrigerator w/Ice Maker O
- 8 cu. ft. Dometic® Stainless Steel Double Door Refrigerator w/Ice Maker O
- Convection Microwave Oven O
- Dinette Table with Free-Standing Chairs O
- Dinette/Computer Workstation O
- Norcold® 4-Door Refrigerator w/Ice Maker O
- Free Standing Dinette w/Credenza O
- Washer/Dryer (Select Models) O

## BEDROOM

- **20" Flat Screen TV** S
- Bedspread w/Decor Pillows S
- Headboard S
- Pleated Shades S
- Rear Speakers S
- **Restonic® Deluxe Pillow Top Innerspring Mattress** S
- Accessory Package (Hair Dryer, Vacuum & Flashlight) O
- Queen Bed Air Mattress Select Comfort O
- Torque Windows O
- 20" Samsung LCD TV O

## BATHROOM

- High End Moen® Lavy Faucet S
- **Fan-Tastic® Power Roof Vent** S
- Make-Up Lights S
- **Molded Tub/Shower Enclosure** S
- Porcelain Toilet w/Water Saver S
- Skylight in Tub/Shower S
- Toilet Tank San-T-Flush™ System S
- Vinyl Flooring S

## SAFETY/CONVENIENCE

- Carbon Monoxide Detector/Alarm S
- Entry Assist Handle S
- Propane Detector/Alarm S
- Smoke Detector/Alarm S
- 10 ABC Fire Extinguisher S

## EXTERIOR

- 120V/12V AC/DC Converter Central Electrical Panel S
- 3 Colorway Graphics to Match Decor S
- 3-Way Water Pump Switch S
- 5.5 kW Onan® Generator S
- 50-Amp Service S
- Aluminum Tube Front Grille S
- **Awning Rail/Drip Molding (Both Sides)** S
- Dual Pane Windows w/Screens S
- Dual Patio Receptacles S
- Full-Body Paint S
- Halogen Headlights S
- **Heated Water & Holding Tank Compartments** S
- Large, Curved Aerodynamic Windshield S
- Mud Flaps S
- Park Cable Receptacle S
- Patio Awning S
- Single Motor Windshield Wipers w/Wet Arm S
- Slide Topper Awnings S
- Steel Outriggers S
- TV Antenna w/Signal Booster S

- Fiberglass Front/Rear Caps S
- Molded Front Quarter Panels S
- CSA Package \*\* O
- Dual A/C w/Heat Pump w/Solar Panel On Front A/C O
- Front Mask Shield O
- Electric Awning-Weather Pro (32VS & 34G) O

## AUTOMOTIVE

- **4-Point Automatic Leveling Jacks** S
- Trailer Hitch w/7 Point Electrical Hook-Up† S
- Workhorse™ Chassis w/8.1L Vortec™ Engine O
- Ford® Chassis w/6.8L Triton® V10 Engine O

## SAFETY/CONVENIENCE

- Entry Door w/Screen Door & Deadbolt Lock S
- Large, Heated Remote Rear View Mirrors S
- Porch Light (Doorside) S
- Power Entry Step S
- **Rear Vision Camera w/One-Way Audio** S
- Roof Ladder S
- Underhood Utility Lights S
- Utility Compartment w/Exterior Shower S
- Winterizing Pick Up Tube S
- Lighted Exterior Assist Handle S

## STORAGE

- Continuous One-Piece Compartment Bulb Seal S
- Gas-Lift Strut Supports S
- Insulated Aluminum Luggage Doors w/Single Paddle Metal Latches & Stainless Steel Hinges S
- Lighted Luggage Compartments S
- **Rotomolded Polyethylene Luggage Compartments** S
- Steel Luggage Door Seal Frames S

## BODY STRUCTURE

- Aluminum Interlocking Floor/Wall/Ceiling Framing S
- **Basement Floor Configuration** S
- Royal Tuff-Ply Radius Roof w/Ducted A/C S
- Vacu-bond® Upper/Lower Floors S
- **Vacu-bond® Walls w/Smooth, High-Gloss Exterior Fiberglass** S

## FLEETWOOD ADVANTAGES

- **Complete TuffPEX® Plumbing System**
- **Power Platform Construction (Fleetwood Exclusive)**
- **Royal Tuff-Ply UV-Resistant Heat/Cold Insulated Roofing Technology**
- **Vacu-Bond® Upper/Lower Floors**
- **Vacu-Bond® Walls w/Smooth High-Gloss Exterior Tuff-Coat® Fiberglass**

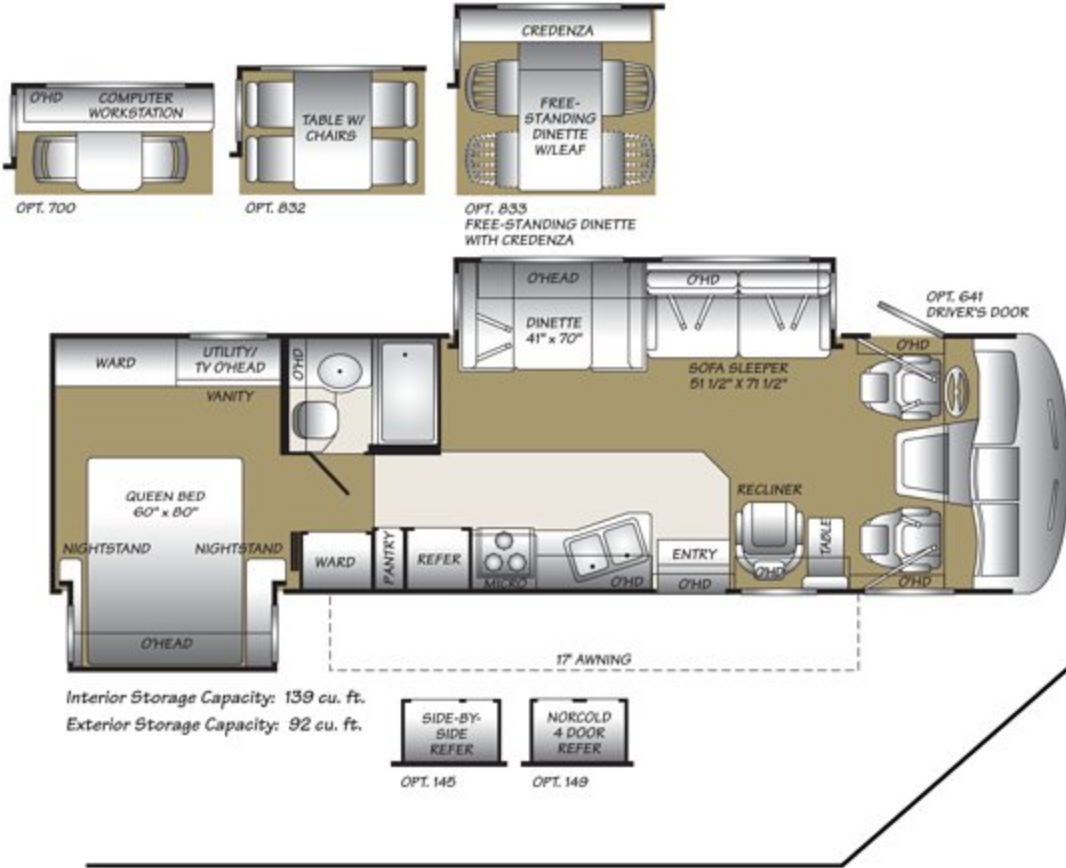


S = Standard O = Optional Bold Denotes Fleetwood's Key Features

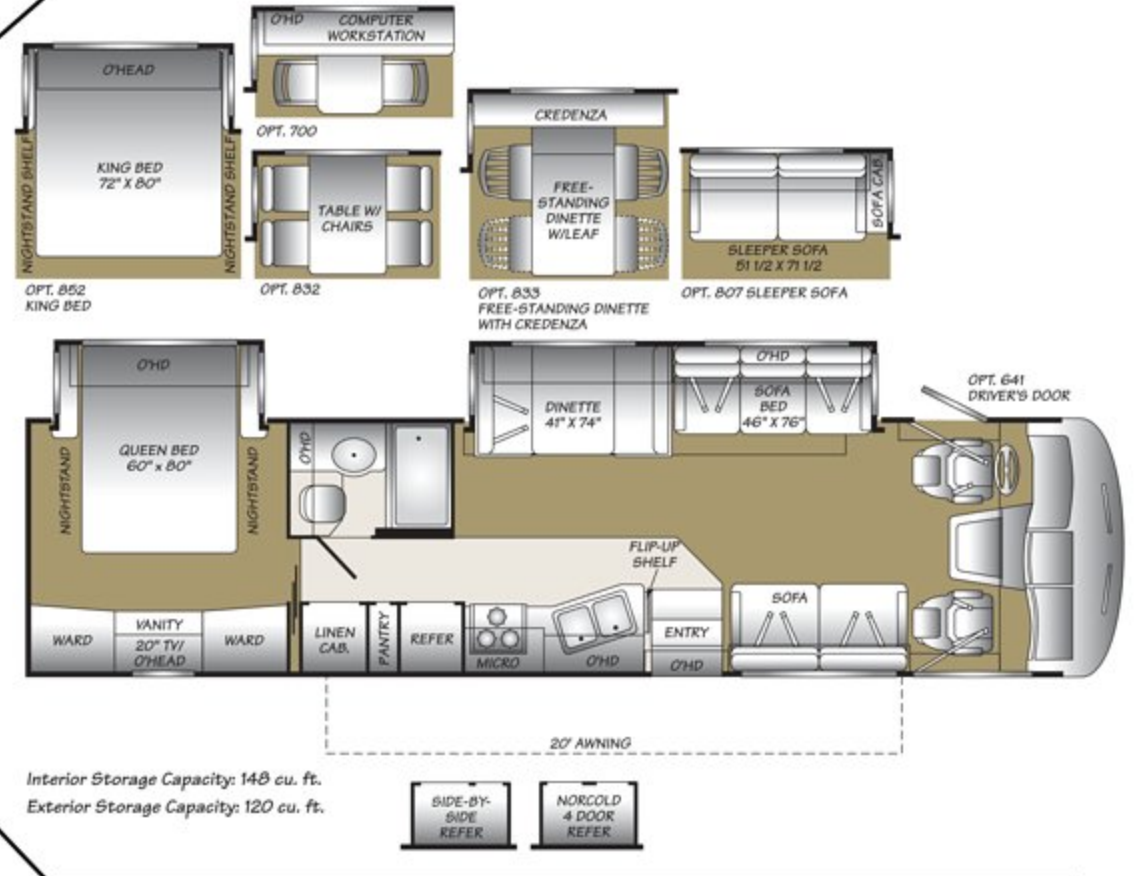
\*\* CSA standards may require substitution or deletion to achieve conformance.



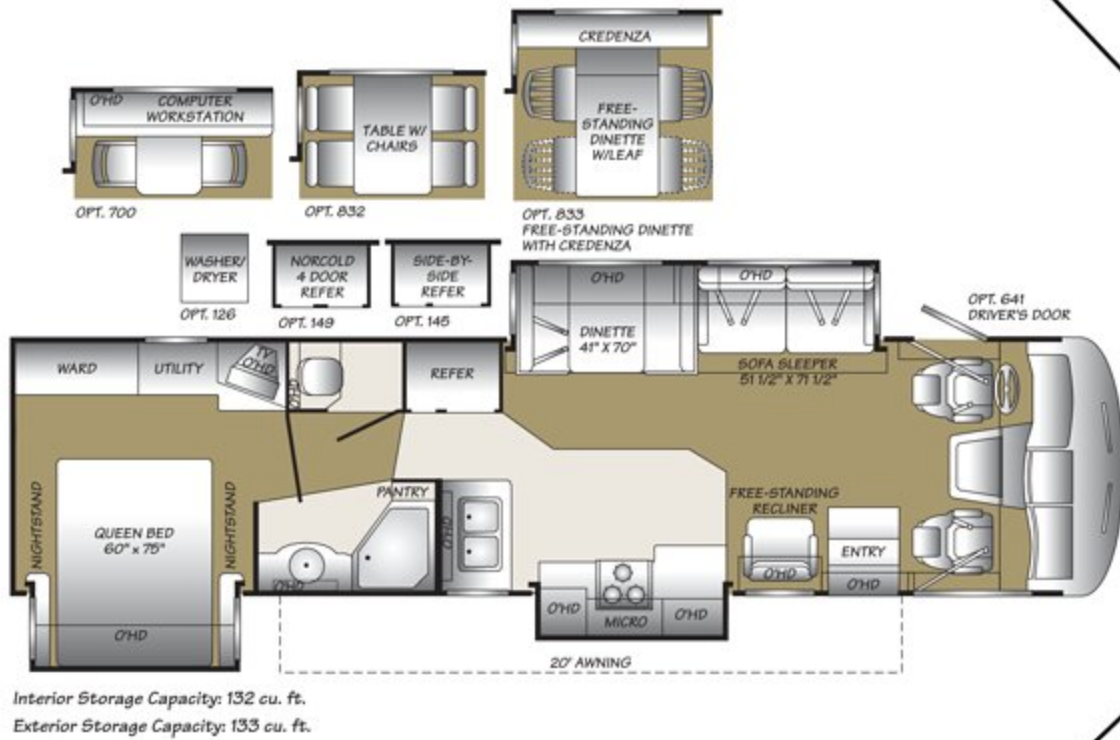
# Southwind Floor Plans



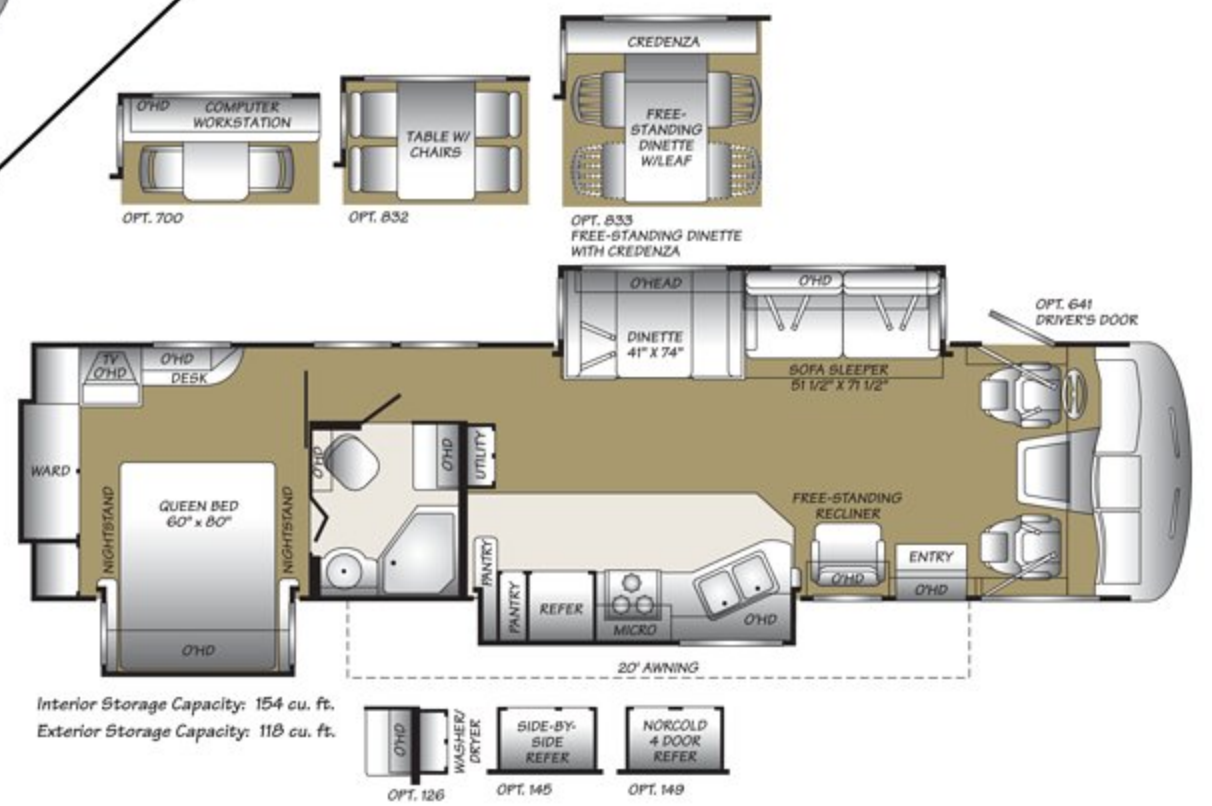
32VS Double Slide-Out



34G Double Slide-Out



35A Triple Slide-Out



37C Triple Slide-Out

Seat belt configuration may vary depending on options chosen.



# Weights and Measurements

2007 Southwind

MODELS	FORD				WORKHORSE W24				WORKHORSE W22			
	32VS	34G	35A	37C	32VS	34G	35A	37C	32VS	34G	35A	37C
Engine Displacement (Liters)	6.8	6.8	6.8	6.8	N/A	N/A	8.1	8.1	8.1	8.1	8.1	8.1
Wheelbase (Inches)	208"	228"	228"	242"	N/A	N/A	228"	242"	208"	228"	228"	242"
GVWR (lbs) <sup>1</sup>	22,000	22,000	22,000	22,000	N/A	N/A	24,000	24,000	22,000	22,000	22,000	22,000
Front GAWR (lbs) <sup>2</sup>	7,500	7,500	7,500	7,500	N/A	N/A	9,000	9,000	8,000	8,000	8,000	8,000
Rear GAWR (lbs) <sup>2</sup>	14,500	14,500	14,500	14,500	N/A	N/A	15,500	15,500	14,500	14,500	14,500	14,500
Base Weight (lbs) <sup>3</sup>	17,550	17,950	18,810	19,220	N/A	N/A	18,880	19,300	17,700	18,150	18,810	19,220
GCWR (lbs) <sup>4</sup>	26,000	26,000	26,000	26,000	N/A	N/A	30,000	30,000	26,000	26,000	26,000	26,000
Hitch Rating Weight (lbs) <sup>†</sup>	5,000	5,000	5,000	5,000	N/A	N/A	6,000	6,000	5,000	5,000	5,000	5,000
Tongue Weight (lbs) <sup>†</sup>	500	500	500	500	N/A	N/A	600	600	500	500	500	500
Fuel Capacity (gal)	75	75	75	75	N/A	N/A	75	75	75	75	75	75

## DIMENSIONS & CAPACITIES

MODELS	FORD				WORKHORSE W24				WORKHORSE W22			
	32VS	34G	35A	37C	32VS	34G	35A	37C	32VS	34G	35A	37C
Overall Length <sup>5</sup>	33' 2"	35' 8"	36' 2"	37' 8"	N/A	N/A	36' 2"	37' 8"	33' 2"	35' 8"	36' 2"	37' 8"
Overall Height (with A/C)	12' 10"	12' 10"	12' 10"	12' 10"	N/A	N/A	12' 10"	12' 10"	12' 10"	12' 10"	12' 10"	12' 10"
Overall Width (maximum) <sup>6,7</sup>	102"	102"	102"	102"	N/A	N/A	102"	102"	102"	102"	102"	102"
Interior Height (maximum)	84"	84"	84"	84"	N/A	N/A	84"	84"	84"	84"	84"	84"
Interior Width (maximum)	96"	96"	96"	96"	N/A	N/A	96"	96"	96"	96"	96"	96"
Fresh Water Holding Tank (gal)	80	80	80	80	N/A	N/A	80	80	80	80	80	80
Grey Water Holding Tank (gal)	58	58	58	58	N/A	N/A	58	58	58	58	58	58
Black Water Holding Tank (gal)	42	42	42	42	N/A	N/A	42	42	42	42	42	42
Appliance Propane Tank (gal) (WC) <sup>8</sup>	25	25	25	25	N/A	N/A	25	25	25	25	25	25
Water Heater Tank (gal)	10	6	10	10	N/A	N/A	10	10	10	6	10	10

Liquid Weight Reference: Water (gal) = (8.3 lbs/3.8 kgs) Fuel (gal) = (6.1 lbs/2.8 kgs) Propane (gal) = (4.2 lbs/1.9 kgs)

Metric Conversion: Multiply pounds x 0.453 to obtain kilograms. Multiply gallons x 3.785 to obtain liters. Multiply liters x 61 to obtain cubic inches.

## CHASSIS

**Model:** Ford®/Workhorse™

**Engine:** 6.8L Triton® V10/8.1L Vortec™ V8

**Transmission:** 5-Speed Automatic w/Overdrive  
4-Speed Automatic w/Overdrive

**Alternator Amps:** 130 Amp/145 Amp

**Torque:** 457 lb-ft @ 3250 RPM/455 lb-ft @ 3200 RPM

**Horsepower:** 362HP/340HP

- GVWR (Gross Vehicle Weight Rating) is the maximum permissible weight of this fully loaded motor home. The GVWR is equal to or greater than the sum of the unloaded vehicle weight (UVW) plus the cargo carrying capacity (CCC).
- GAWR (Gross Axle Weight Rating) is the maximum permissible loaded weight a specific axle is designed to carry.
- Base Weight is the estimated weight of the motor home without fuel, options, water, cargo or passengers.
- GCWR (Gross Combined Weight Rating) is the value specified by the motor home manufacturer as the maximum allowable loaded weight of this motor home with its towed vehicle. Towing and braking capacities may be different. Refer to Fleetwood and chassis manufacturer's manuals for complete information.
- Length taken from front bumper to rear bumper (excludes accessories).
- Excludes safety equipment and awnings.
- Motor homes feature a body-width over 96" which will restrict your access to certain roads. Before purchasing, you should research any state and/or province road laws which may affect your usage.
- Tank manufacturer's listed water capacity (WC). Actual propane capacity is 80% of water listing as required by the safety code.

† The chassis manufacturer recommends the installation of a supplemental brake control system to activate the brakes on the vehicle or trailer you are towing. Hitch receiver ratings expressed are maximum for the hitch receiver installed and may require the purchase of additional equipment that is dependent on the weight of the towed load. Consult with hitch receiver manufacturer for further information.

\* UWW and CCC are found on the cargo carrying capacity label in each RV.

N/A = Not Applicable.

**IMPORTANT— PLEASE READ:** Product information, photography and illustrations included in this publication were as accurate as possible at the time of printing. For further product information and changes, please visit our website at [www.fleetwoodrv.com](http://www.fleetwoodrv.com) or contact your local Fleetwood dealer. Prices, materials, design and specifications are subject to change without notice. All weights, fuel, liquid capacities and dimensions are approximate. Fleetwood has designed its recreational vehicles to provide a variety of uses for its customers. Each vehicle features optimal seating, sleeping, storage and fluid capacities. The user is responsible for selecting the proper combination of loads (i.e. occupants, equipment, fluids, cargo, etc.) to ensure that the vehicle's capacities are not exceeded.



# Southwind®

## RV OWNERCARE\*

Limited one-year/15,000-mile coach warranty and three-year/50,000 mile structural warranty, whichever occurs first, and it is fully transferable for the first 12 months. RV OWNERCARE is one of the RV industry's most comprehensive programs and includes systems, appliances, components and construction, with no deductible and no service charge. RV OWNERCARE coverage is provided from a company that will be around in the future to service your needs. See your nearest Fleetwood dealer for a full explanation of benefits and restrictions.

## CONTACT US

To locate a dealer near you, visit our website at [www.fleetwoodrv.com](http://www.fleetwoodrv.com) or call 1-800-444-4905. We can also be contacted at Fleetwood Customer Relations, P.O. Box 1007, Decatur, IN 46733.

## FLEETWOOD TRAVELCADE CLUB

As a Fleetwood owner, you're eligible to become a member of the Fleetwood Travelcade Club. It's a perfect way to meet other Fleetwood owners who love to travel across America and share in the RV lifestyle. Call (877) 577-2560, or visit our website at [www.fleetwoodrv.com/owners\\_clubs](http://www.fleetwoodrv.com/owners_clubs) to learn more, and join the fun.

## YOUR LOCAL FLEETWOOD DEALER IS:

\*For complete info see your Fleetwood dealer.

©2006. Fleetwood Enterprises, Inc.  
Printed in the USA. Inventory Control Number SW07B2, 11/06  
Model Year 2007, Second Edition.

## IMPORTANT—PLEASE READ

Product information, photography and illustrations included in this publication were as accurate as possible at the time of printing. For further product information and changes, please visit our website at [www.fleetwoodrv.com](http://www.fleetwoodrv.com) or contact your local Fleetwood dealer. Prices, materials, design and specifications are subject to change without notice. All weights, fuel, liquid capacities and dimensions are approximate. Fleetwood has designed its recreational vehicles to provide a variety of uses for customers. Each vehicle features optimal seating, sleeping, storage and fluid capacities. The user is responsible for selecting the proper combination of loads (i.e. occupants, equipment, fluids, cargo, etc.) to ensure that the vehicle's capacities are not exceeded.

